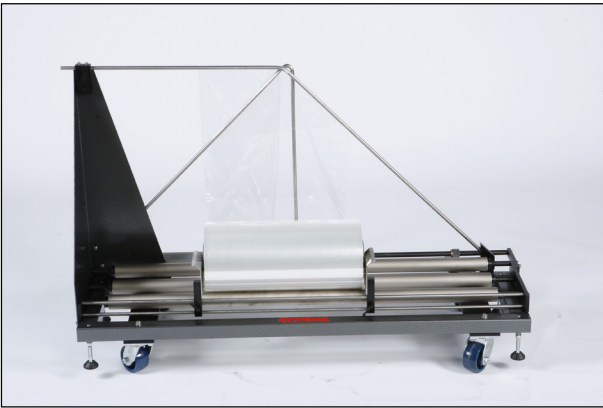


DUAL ROLL POWERED & COMPACT CENTER FOLDERS



Dual Roll Powered Center Folder

- Maximum up time and efficiency
- Ideal for high speed and high throughput applications
- Holds 2 double length rolls of flat film
- 8 times the footage of standard roll
- One roll is always ready to go, tools are not needed
- Attached directly to the Extreme wrapper
- Independent dancer bar and film drive roller systems controls film tension
- Requires minimal floor space
- Heavy duty casters for easy movement
- Optional hot wire splicer

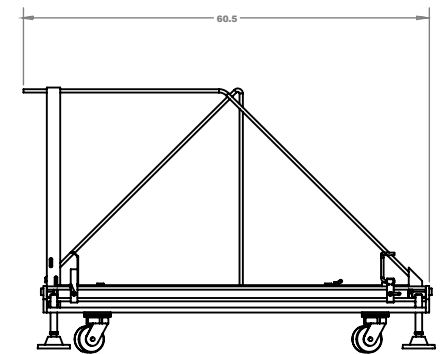
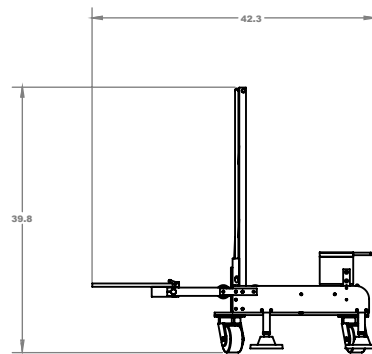


Compact Center Folder

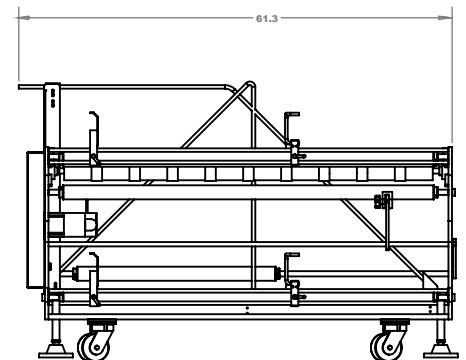
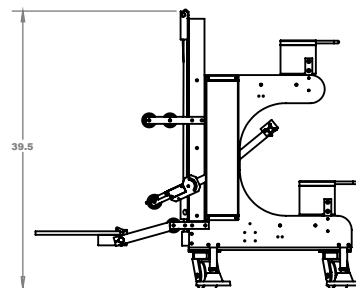
- 50% less machine stoppage time to replenish film
- Can take either pre-folded or flat film
- Quick and tool-less replacement of film rolls
- Attaches to any Extreme film rack
- Takes up minimal floor space
- Heavy duty casters for easy movement

Line-Layout

Compact Center Folder



Dual Roll Powered Center Folder



DUAL ROLL POWERED & COMPACT CENTER FOLDERS

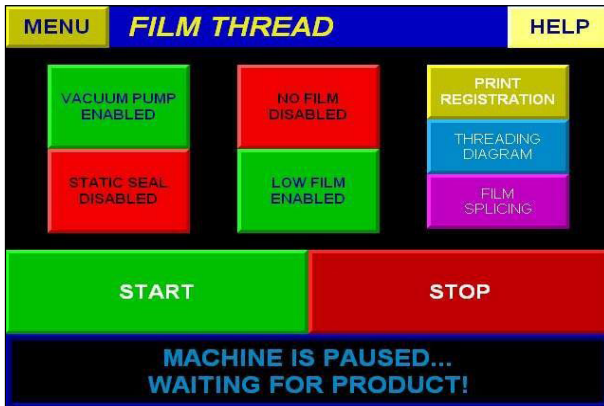


Integrated Manual Film Splicer

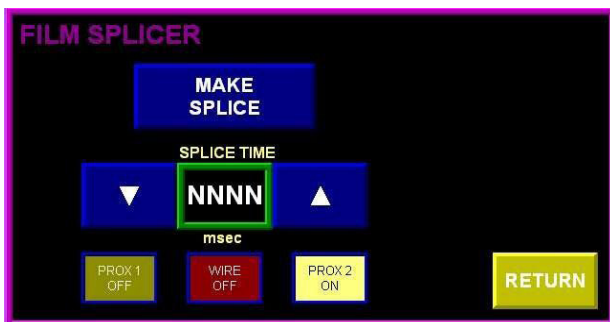
Extreme's easy-to-use splicer saves valuable production time and lowers the downtime associated with film roll changes. A photoeye monitors film roll diameter and alerts the operator the film roll is almost depleted.

The splicer will splice together a new roll to the end of a depleted roll right on the center folder, eliminating the need to re-thread the film each time a roll of film is changed.

Splicing is as easy as putting two layers of film over the splice bar and pressing the Splice Button on the wrapper HMI.



Touch screen makes splicing easy



Pressing the Make Splice button splices used film and the new film together in a matter of few seconds